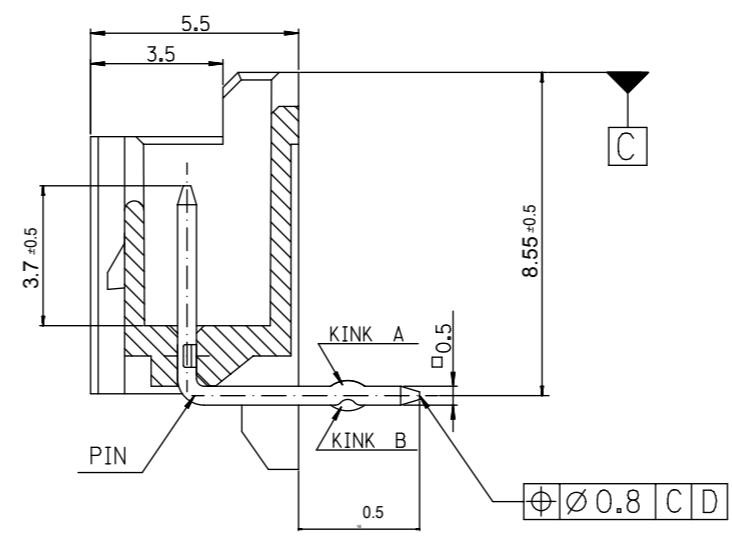
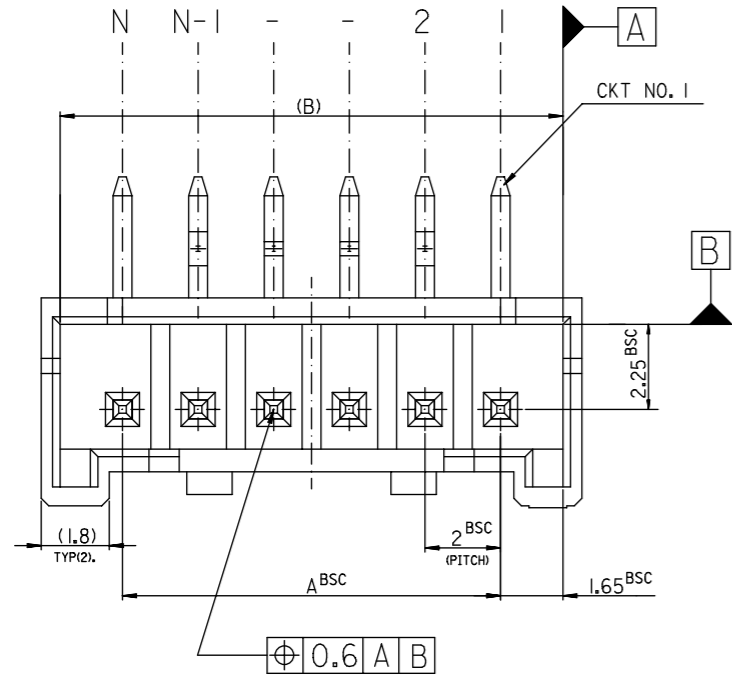
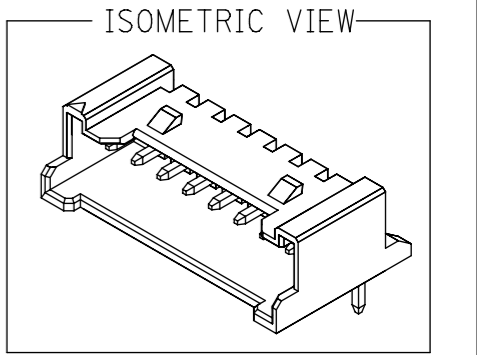


# Molex 35363-0560 PDF

深圳创唯电子有限公司

<http://www.molex-connect.com>

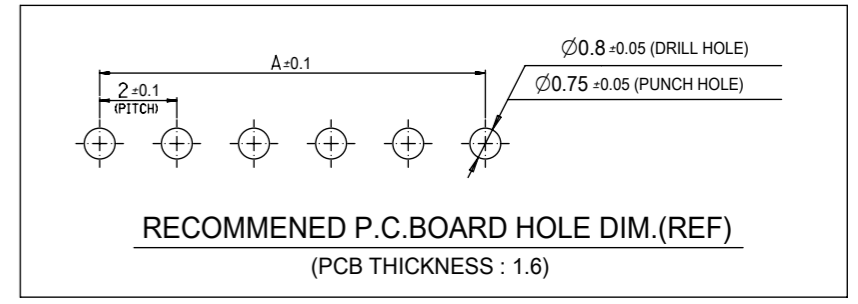
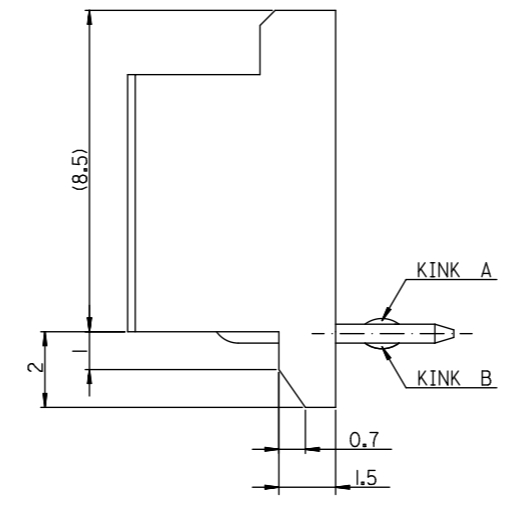
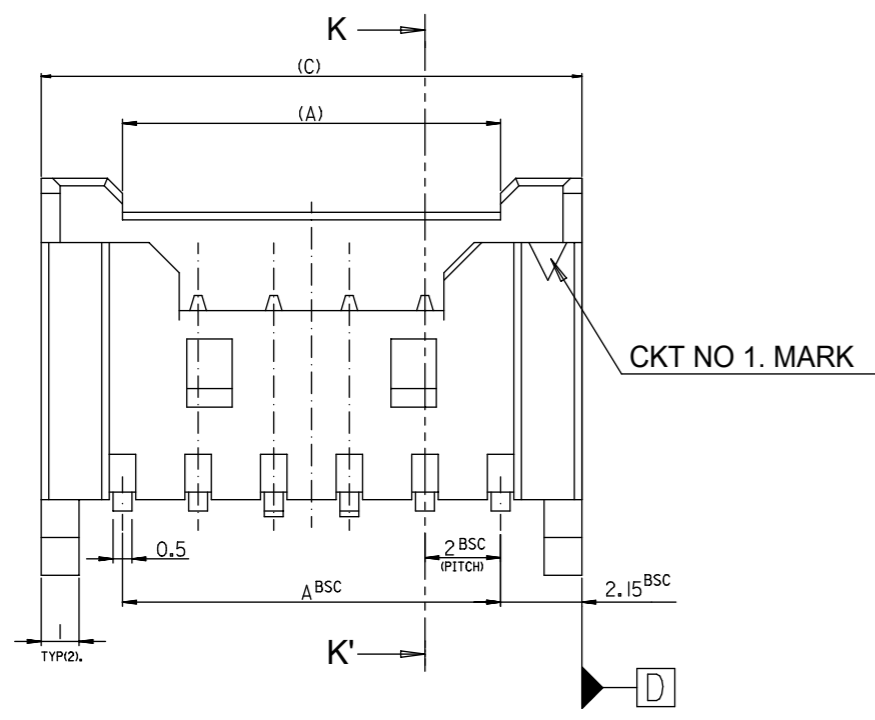
LEAD FREE



LEGEND

SD-35363-\*\* 6 \* COLOR

- 0 : NATURAL
- 1 : BLACK
- 2 : RED
- 3 : YELLOW
- 4 : BLUE
- 5 : GREEN



32.3	31.3	28	156*	- 156*	15
30.3	29.3	26	146*	- 146*	14
28.3	27.3	24	136*	- 136*	13
26.3	25.3	22	126*	- 126*	12
24.3	23.3	20	116*	- 116*	11
22.3	21.3	18	106*	- 106*	10
20.3	19.3	16	096*	-096*	9
18.3	17.3	14	086*	-086*	8
16.3	15.3	12	076*	-076*	7
14.3	13.3	10	066*	-066*	6
12.3	11.3	8	056*	-056*	5
10.3	9.3	6	35363046*	35363-046*	4
(C)	(B)	A	MATERIAL NO.	ENG. NO.	CKT

- NOTES
- MATERIAL : WAFER - UNFILLED POLYAMIDE, UL94V-0  
PIN - BRASS
  - FINISHES : PIN - Tin(Sn) 1.0~3.0m OVERALL  
Cu 1.5~3.75m OVERAL
  - PRODUCT SPECIFICATION : PS-35507-003
  - MATES WITH : HOUSING - 35507-\*\*0\*  
TERMINAL - 50212-8000
  - KINK

CKT NO	1	2	3	4	5	N-2	N-1	N
6 CKT OVER	-	A	B	-	-	B	A	-
5 CKT	A	B	-	B	A			
4 CKT	A	B	B	A				

GENERAL TOLERANCE

30 over	±0.3
10 over 30 under	±0.25
10 under	±0.2
ANGLE	±3°

THIS DRAWING CONTAINS INFORMATION THAT IS PROPRIETARY TO MOLEX ELECTRONIC TECHNOLOGIES, LLC AND SHOULD NOT BE USED WITHOUT WRITTEN PERMISSION

SYMBOLS

▽ = 0	mm	SCALE 5:1
▽ = 0	GENERAL TOLERANCES (UNLESS SPECIFIED)	
▽ = 0	ANGULAR TOL ± °	
▽ = 0	4 PLACES ±	
▽ = 0	3 PLACES ±	
▽ = 0	2 PLACES ±	
▽ = 0	1 PLACE ±	
▽ = 0	0 PLACES ±	
■ = 0	DRAFT WHERE APPLICABLE MUST REMAIN WITHIN DIMENSIONS	
▽ = 0	THIRD ANGLE PROJECTION	

CURRENT REV DESC:

EC NO: 605910  
DRWN: JSSHIN 2018/10/11  
CHK'D: SHCHU 2018/10/15  
APPR: YSKIM02 2018/10/16

INITIAL REVISION:  
DRWN: DYJANG 2004/09/01  
APPR: CHANGWOOLEE 2004/09/02

**molex**

2.0 W/B WAFER R/A ASS'Y - LEAD FREE-

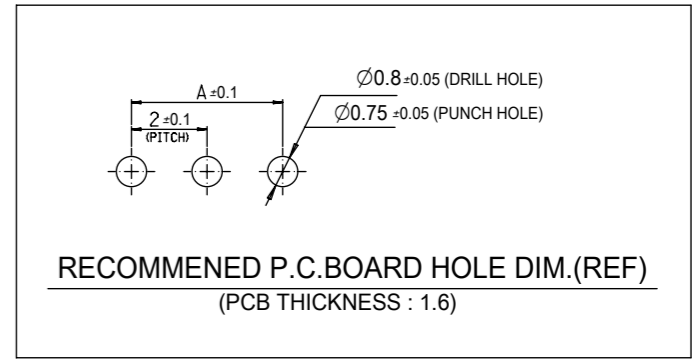
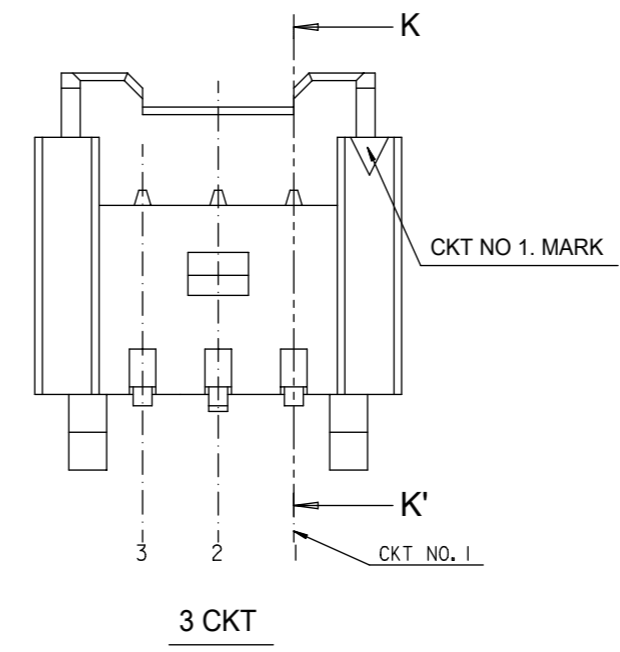
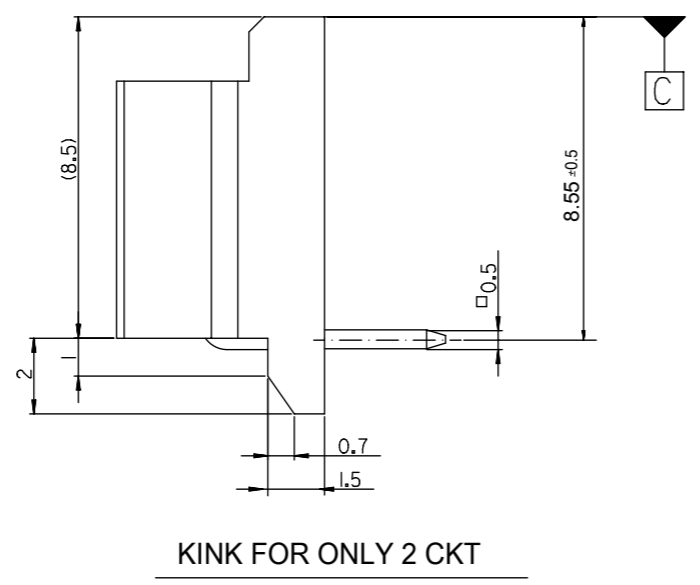
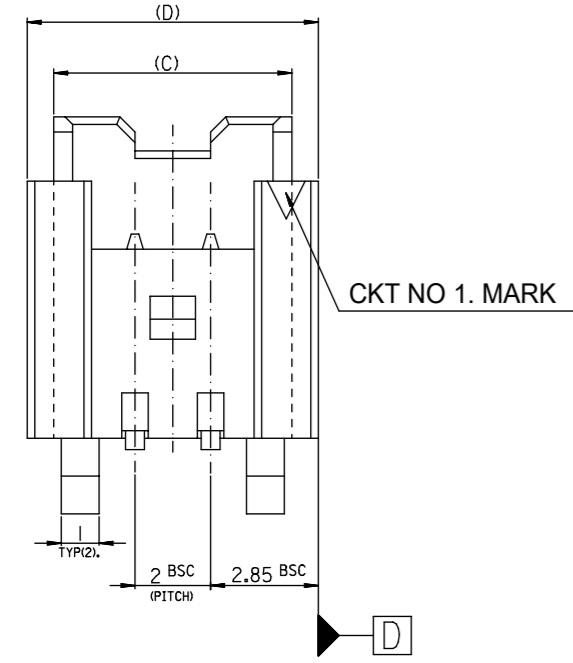
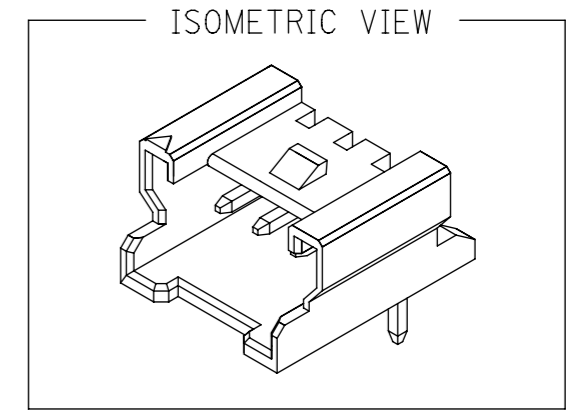
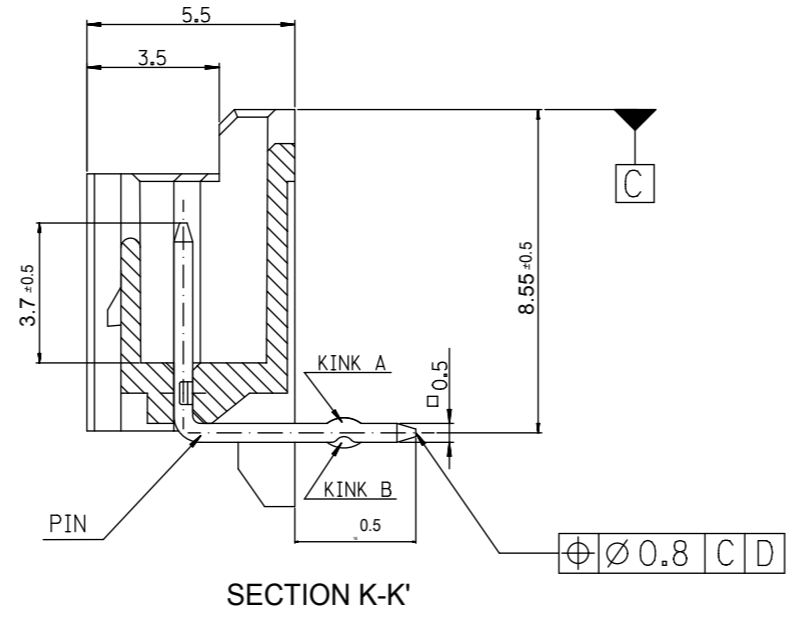
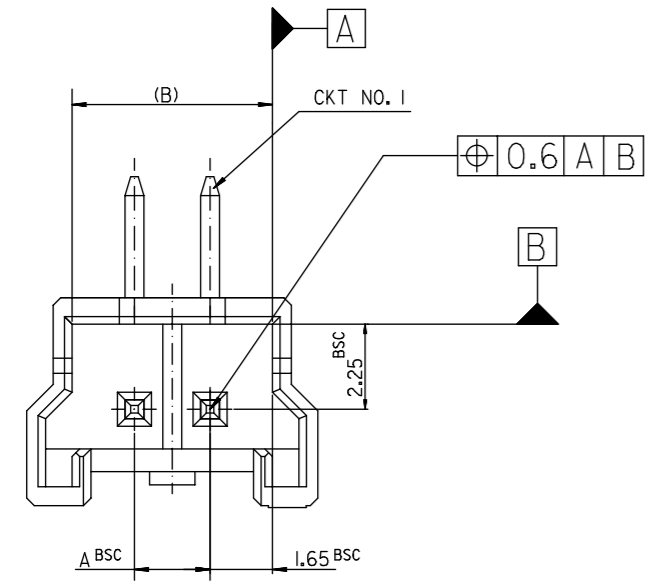
PRODUCT CUSTOMER DRAWING

DOCUMENT NUMBER: SD-35363-002  
DOC TYPE: PSD  
DOC PART: 001  
REVISION: D2

MATERIAL NUMBER: SEE TABLE  
CUSTOMER: GENERAL MARKET  
SHEET NUMBER: 1 OF 1

DOCUMENT STATUS	RELEASE DATE
-----------------	--------------

FOR 2 & 3 CKTS. LEAD FREE



LEGEND

SD-35363-\*\* 6 \* COLOR

- 0 : NATURAL
- 1 : BLACK
- 2 : RED
- 3 : YELLOW
- 4 : BLUE
- 5 : GREEN

- NOTES
- MATERIAL : WAFER - UNFILLED POLYAMIDE, UL94V-0  
PIN - BRASS
  - FINISHES : PIN - Tin(Sn) 1.0~3.0m OVERALL  
Cu 1.5~3.75m OVERAL
  - PRODUCT SPECIFICATION : PS-35507-003
  - MATES WITH : HOUSING - 35507-\*\*0\*  
TERMINAL - 50212-8000
  - KINK

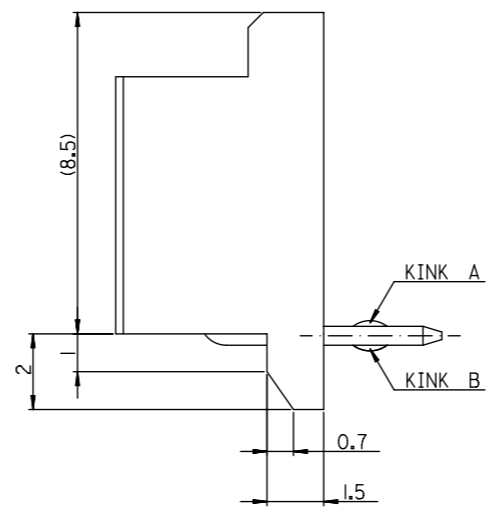
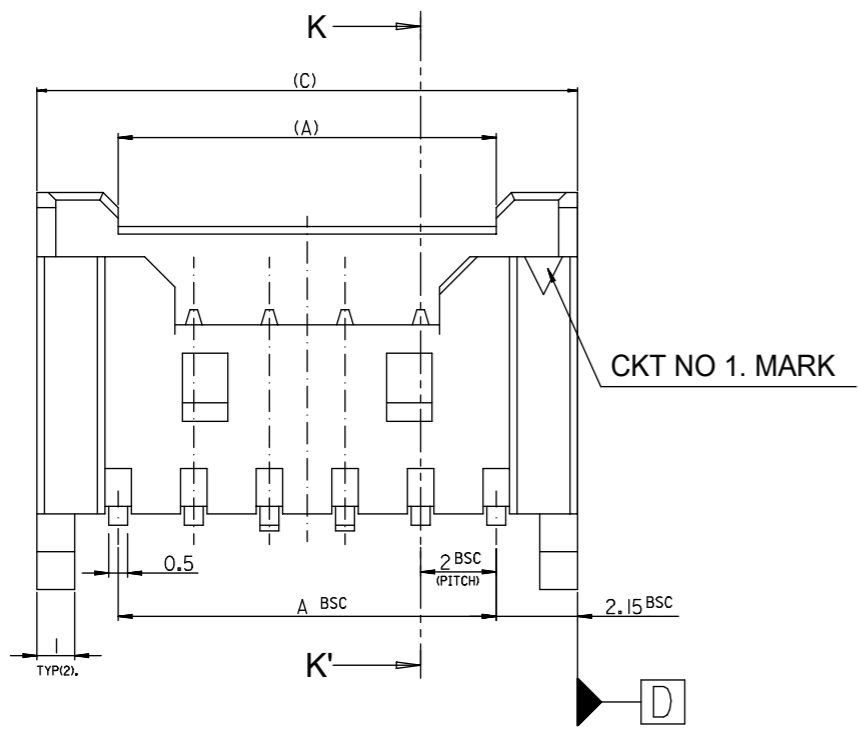
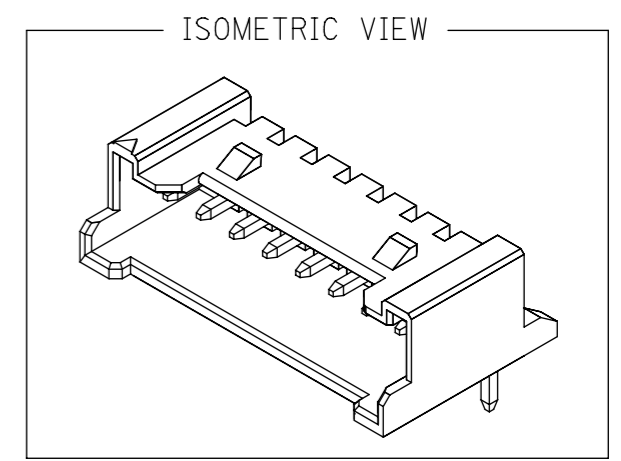
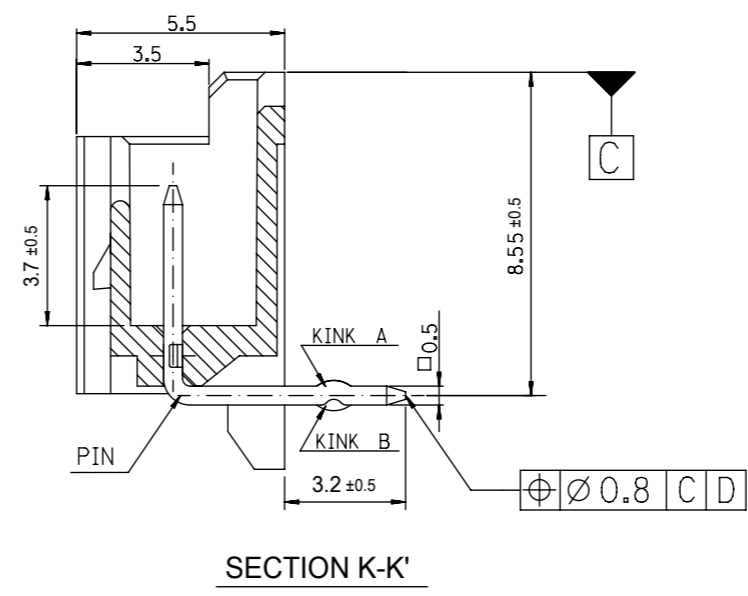
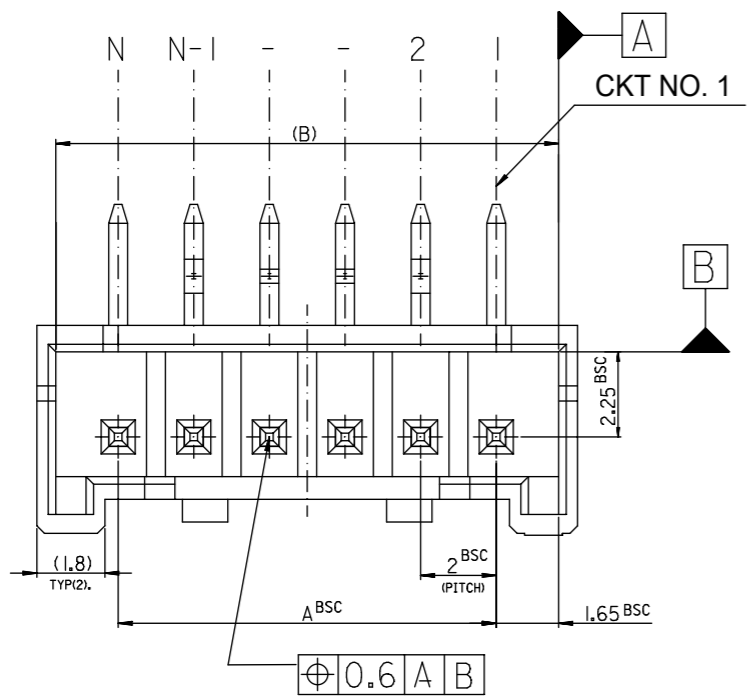
CKT	CKT NO	1	2	3
2 CKT		NONE	KINK	
3 CKT		A	B	A

9.7	8.3	7.3	4	35363036*	35363-036*	3
7.7	6.3	5.3	2	35363026*	35363-026*	2
(D)	(C)	(B)	A	MATERIAL NO.	ENG. NO.	CKT

SYMBOLS DIMENSION UNITS: mm SCALE: 5:1 GENERAL TOLERANCES (UNLESS SPECIFIED) ANGULAR TOL ± ° 4 PLACES ± 3 PLACES ± 2 PLACES ± 1 PLACE ± 0 PLACES ± DRAFT WHERE APPLICABLE MUST REMAIN WITHIN DIMENSIONS		CURRENT REV DESC: EC NO: 605910 DRWN: JSSHIN 2018/10/11 CHK'D: SHCHU 2018/10/15 APPR: YSKIM02 2018/10/16 INITIAL REVISION: DRWN: DYJANG 2004/09/01 APPR: CHANGWOOLEE 2004/09/02			
30 over ±0.3 10 over 30 under ±0.25 10 under ±0.2 ANGLE ±3° GENERAL TOLERANCE		PRODUCT CUSTOMER DRAWING DOCUMENT NUMBER: SD-35363-002 DOC TYPE: PSD DOC PART: 002 REVISION: D2		MATERIAL NUMBER: SEE TABLE CUSTOMER: GENERAL MARKET SHEET NUMBER: 1 OF 1	

DOCUMENT STATUS	RELEASE DATE
-----------------	--------------

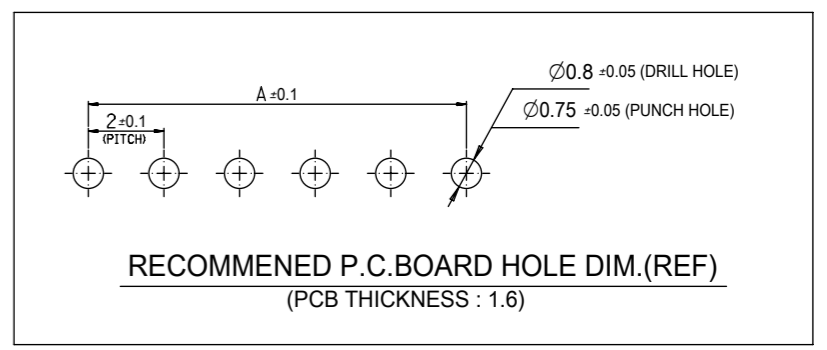
LEAD FREE



LEGEND

SD-35363-\*\*\* 6 \* COLOR

- 0 : NATURAL
- 1 : BLACK
- 2 : RED
- 3 : YELLOW
- 4 : BLUE
- 5 : GREEN



NOTES

1. MATERIAL : WAFER - UNFILLED POLYAMIDE, UL94V-0  
PIN - BRASS
2. FINISHES : PIN - Tin(Sn) 1.0~3.0m OVERALL  
Cu 1.5~3.75m OVERAL
3. PRODUCT SPECIFICATION : PS-35507-003
4. MATES WITH : HOUSING - 35507-\*\*0\*
5. KINK

CKT	CKT NO	1	2	3	4	N-3	N-2	N-1	N
20	-	A	B	-	-	B	A	-	-

42.3	41.3	38	35363206*	35363-206*	20
(C)	(B)	A	MATERIAL NO.	ENG. NO.	CKT

THIS DRAWING CONTAINS INFORMATION THAT IS PROPRIETARY TO MOLEX ELECTRONIC TECHNOLOGIES, LLC AND SHOULD NOT BE USED WITHOUT WRITTEN PERMISSION

SYMBOLS

▽ = 0	mm	SCALE 5:1
▽ = 0	GENERAL TOLERANCES (UNLESS SPECIFIED)	
▽ = 0	ANGULAR TOL ± °	
▽ = 0	4 PLACES ±	
▽ = 0	3 PLACES ±	
▽ = 0	2 PLACES ±	
▽ = 0	1 PLACE ±	
▽ = 0	0 PLACES ±	
■ = 0	DRAFT WHERE APPLICABLE MUST REMAIN WITHIN DIMENSIONS	
▽ = 0	THIRD ANGLE PROJECTION	

GENERAL TOLERANCE

30 over	±0.3
10 over 30 under	±0.25
10 under	±0.2
ANGLE	±3°

CURRENT REV DESC:

EC NO: 605910  
DRWN: JSSHIN 2018/10/11  
CHK'D: SHCHU 2018/10/15  
APPR: YSKIM02 2018/10/16

INITIAL REVISION:  
DRWN: DYJANG 2004/09/01  
APPR: CHANGWOOLEE 2004/09/02

THIRD ANGLE PROJECTION

DRAWING A3-SIZE

SERIES 35363

MATERIAL NUMBER SEE TABLE

CUSTOMER GENERAL MARKET

SHEET NUMBER 1 OF 1

DOCUMENT NUMBER SD-35363-002

DOC TYPE PSD

DOC PART 003

REVISION D2

DOCUMENT STATUS	RELEASE DATE
-----------------	--------------